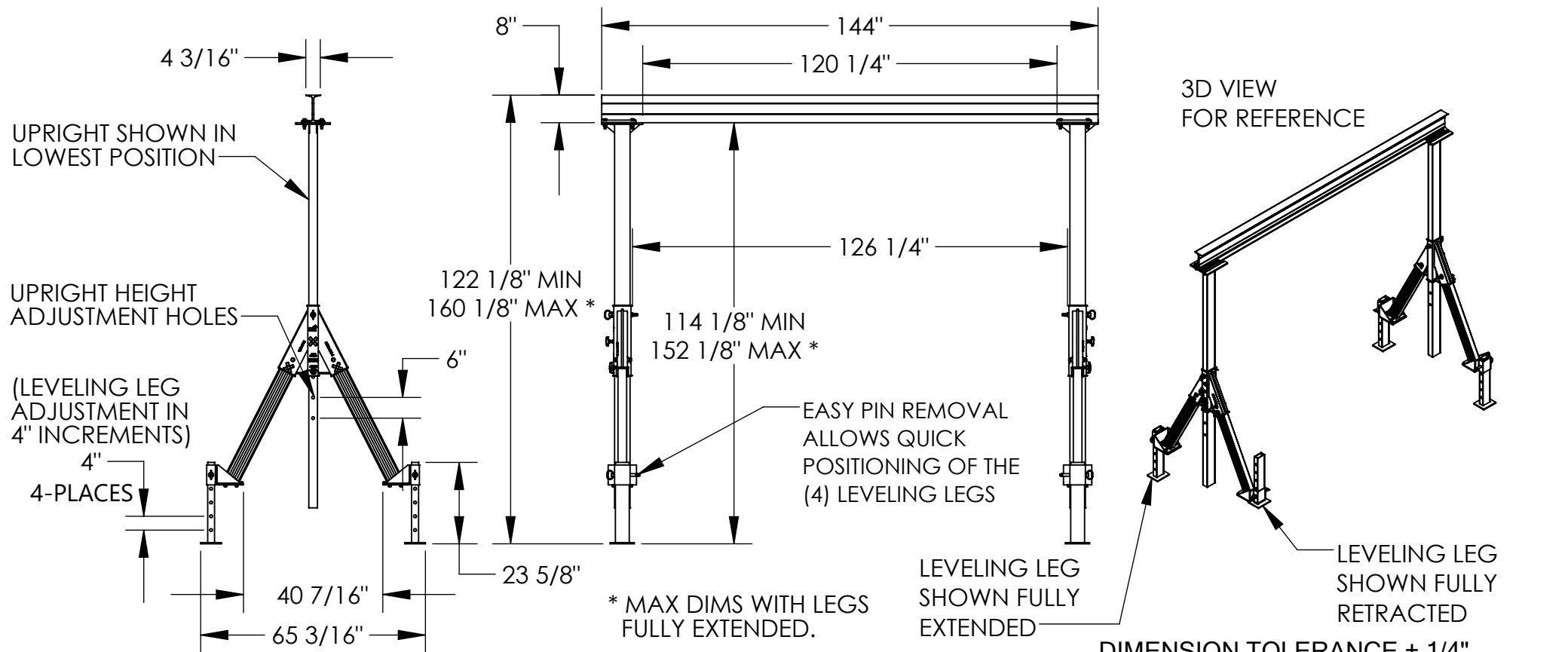


LEVELING ADJUSTABLE HEIGHT ALUMINUM GANTRY - AHA-4-12-12-ALO

APPROX WEIGHT: 324.27 lbs.
 DOES NOT INCLUDE WEIGHT OF POWER OR PACKAGING!!!

*** ANY ADDITIONS, DELETIONS, OR OMISSIONS MUST BE CORRECTED ON THIS DRAWING AS THIS DRAWING WILL BE CONSIDERED ALL INCLUSIVE ***
 ALL GRAPHICS PROVIDED ARE FOR REFERENCE ONLY. IF CERTAIN DIMENSIONS ARE CRITICAL PLEASE VERIFY THOSE DIMENSIONS WITH YOUR SALESPERSON



STANDARD FEATURES

MODEL NUMBER IS AHA-4-12-12-ALO
 CAPACITY IS 4,000 LBS.
 BASE WIDTH IS 65 3/16"
 MAX OVERALL HEIGHT IS 160 1/8" *
 I-BEAM SIZE IS 8" TALL WITH
 4 3/16" FLANGE WIDTH
 OVERALL I-BEAM LENGTH IS 144"
 USABLE I-BEAM LENGTH IS 120 1/4"
 LEVELING LEG HEIGHT IS INDIVIDUALLY ADJUSTED
 UP TO 16" MAX. TO LEVEL CRANE
 UNDER I-BEAM HEIGHT MAY BE ADJUSTED IN 6"
 INCREMENTS USING THE 6 HOLES IN THE UPRIGHTS
 ADJUSTABLE UNDER I-BEAM HEIGHT
 114 1/8" MIN.
 152 1/8" MAX. *
 CRANE MAY BE TAKEN APART AND BUNDLED WITH
 (2) INCLUDED STRAPS FOR EASY TRANSPORT
 ALUMINUM CONSTRUCTION

SPECIAL FEATURES

NONE

* MAX DIMS WITH LEGS FULLY EXTENDED.

APPROVAL

I, THE UNDERSIGNED, AGREE THAT THE PRODUCT AS REPRESENTED SATISFIES DESIGN AND DIMENSION REQUIREMENTS. I ALSO ACKNOWLEDGE MY DUTY TO CONFIRM PRODUCT AND INSTALLATION COMPLIANCE WITH ALL APPLICABLE FEDERAL, STATE AND LOCAL REGULATIONS AND STANDARDS.

UNITS REQUIRING APPROVAL DRAWINGS OR MODIFIED ARE NON-RETURNABLE

[] As drawn [] As marked

Signed: _____ Date: _____

Printed Name: _____

LEAD TIME WILL START UPON RECEIPT OF SIGNED APPROVAL DRAWING

| | | |
|----------------------|------------------|------------|
| DISTRIBUTOR'S NAME: | | P.O.# |
| VESTIL MANUFACTURING | | X |
| DRAWN BY: MTS | DATE: 10/11/2019 | W.O.# |
| REFERENCE: X | SCALE: 1:42 | X |
| QUOTED LEAD TIME: X | QUOTE # | FILE NAME: |
| | X | 28-007-437 |